

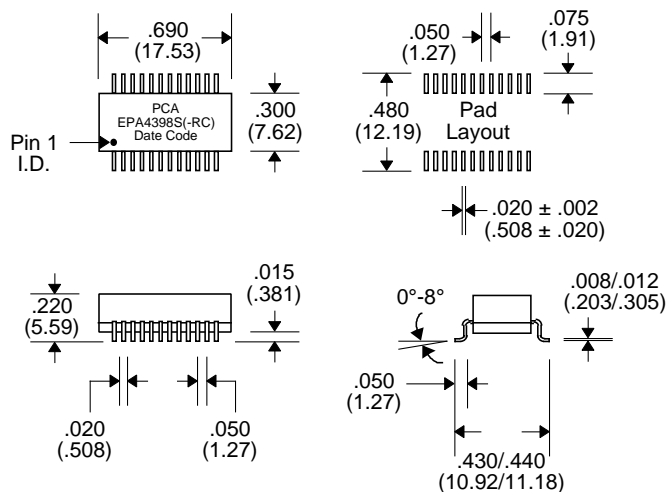
- 750 Vrms Isolation @ 0.5 mA Max., 60 seconds
- Storage Temperature : -40°C to +125°C
- Operating Temperature : 0°C to +85°C

Electrical Parameters @ 25° C

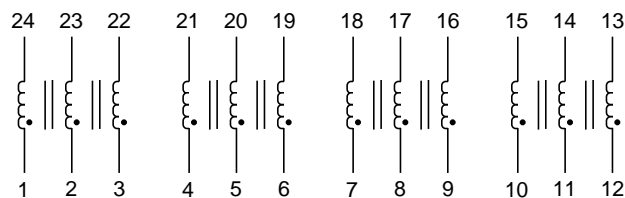
| Primary Inductance ($\mu\text{H} \pm 20\%$) | Primary ET (V- $\mu\text{Sec. Min.}$) | C _{ww} (pF Max.) | Leakage Inductance ($\mu\text{H Max.}$) | DCR (Max.) | | | Crosstalk (dB Max.) |
|--|---|------------------------------|--|----------------|------|------|------------------------|
| | | | | Pri. | Sec. | Ter. | |
| @ 100 KHZ, 0.1 Vrms | | Between Wdg's | @ Pri. Wdg w/ other Wdg's shorted | | | | @ 5 MHz |
| 130 | 3.0 | 25 | 0.1 | 0.4 | 0.4 | 0.4 | -47 |

- Insulation Resistance : 1K Meg. Min. @ 500 Vdc
- Turns Ratio : 1:1:1 \pm 5%

Package



Schematic



| Notes : | EPA1345S | EPA1345S-RC |
|------------------------------|------------------------------------|-----------------------------------|
| 1. Lead Finish | SnPb | Hot Tin Dip (Sn) or (SnCu) |
| 2. Peak Temperature Rating | 225°C | 245°C |
| 3. Moisture Sensitive Levels | MSL = 3 (168 Hours, 30°C/60%RH) | MSL = 4 (72 Hours, 30°C/60%RH) |
| 4. Weight | 1.7 grams | 1.7 grams |
| 5. Packaging Information | (Tube) | 22 pieces/tube |
| | (Tape & Reel) | 500 pieces/13" reel |
| | (Tube) | 22 pieces/tube |
| | (Tape & Reel) | 500 pieces/13" reel |

Unless Otherwise Specified Dimensions are in Inches /mm \pm .010 / .25